



Features - To provide the highest quality wash

Aluminum Construction • Vehicle Sizing & Profiling • Hydraulic Operation • Foaming Pre-Soak • Pre-plumbed/Wired Energy Chain • Solid-state Electronics • PLC control and Ethernet connectivity • Front/Rear Overlap • 4 programmable wash levels • Simple installation



Vehicle Profiling

Vehicle Profiling & Contour Cleaning

The Odyssey features a rollover foam brush that contours the vehicle to provide a higher quality wash. The top foam brush is dynamically controlled to ensure optimal contact & pressure and changes directions as it profiles up and down the vehicle. Real time brush speed and pre-programmed “wrap around” mode ensure overlap of the 4 side foam brushes to effectively clean the front and rear of the vehicle.



Foaming Pre-Soak

Foaming Pre-Soak

Another important feature in the cleaning process is our Foaming Pre-Soak design with shower-heads strategically positioned to completely cover the vehicle in a bath of foam cleaner.

On-Board Hydraulic Design

Hydraulic operation allows for simple wash and brush speed adjustments. Reliable hydraulic operation also ensures optimum contact, brush rotation and pressure to maximize the cleaning process.



Overhead Rail System

Overhead Rail System

The carriage glides on overhead rails for a cleaner, open bay appearance and smoother installation; no more uneven floor leveling.

Pumping Unit

A self-contained pump unit and control panel controls all functions of the carwash. A PC User interface (option) makes operation, troubleshooting and maintenance of the Odyssey faster, simpler and more precise.

Options - To maximize income potential

Column Support Rails • Extended Rail Kit • Undercarriage & Bay wash-down • Bug Off™ System • Wheel Blaster™ System • Tri Gloss® • Multi-color foam • High Pressure Rinse • Spot Free Rinse System • PC based User Interface Choice of Brush Colors • Appearance Package • Off-board Dryer Package



Bug-Off™ System

Bug Off™

Soak the front end, grill and windshield to remove stubborn bug remains with our low pressure Bug Off™. Our Bug Off™ System added to the wash process provides for even greater cleaning effectiveness.



Wheel Blaster™ System

Wheel & Rocker Blaster

Add a 1000 psi, 25 gpm high-pressure pump to blast away dirt and grime from the wheels & rocker panels. Our exclusive rotating wand with oscillating nozzles on both sides of the Odyssey cleans the rocker panels, wheels and rims eliminating brake dust, grease and grime.



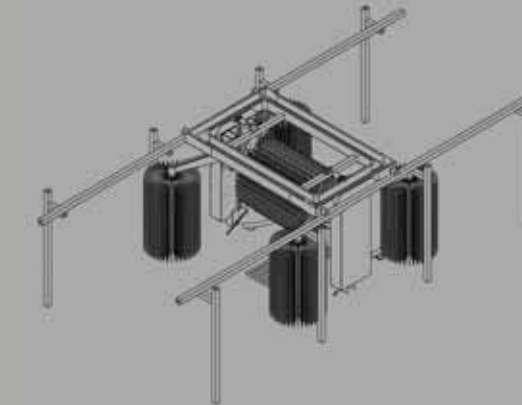
Tri Gloss System®

Tri-Gloss®

A unique high polymer silicone foam polish, Tri Gloss® in bright Pink, Blue and Yellow produces the ultimate in beauty, protection and enhanced customer appeal. The Odyssey Tri Gloss® System may also be substituted as a sudsy, Tri Color foaming Pre-Soak.

Specs

Overhead Rail System & Energy Chain • Actively Controlled Profiling Top Soft-Foam Brush & 4 Soft-Foam Side Brushes In-Position Treadle • Guide Rails • On-board Hydraulic System • Foaming Applicators • 16 nozzle Rinse Arch • Chemical Injection Pumping Unit • PLC • Bay Installation Kit • In-bay Manual Control Box (locking)



UNIT	Rail System: Maximum Vehicle Height:	32' Length 7' Height 106" Width
BUILDING	*Bay:	38' L X 15' W X 11' H (min.) 42' L X 15' W X 11' H min. w/in bay off-board dryers 8'6" H X 10' W
PUMPING	Electric Service:	40 amp/3ph to Bay 60 amp/3ph to Equipment Room 225 amp/3ph (Dryer)
CONTROL	Pump Motor: Pump/Pressure: Min. Water Service: Air:	15 h.p./ 208-230V/3ph, 60hz 1000 psi 10 gpm cold, Soft@ 50 psi 14 cfm @ 100 psi

*Wash will function in shorter bays but the top brush may not come down behind long vehicles.

800-844-3442

dscarwash.com



**VEHICLE PROFILING SOFT TOUCH AUTOMATIC –
FOR A PRECISION CLEAN CARWASH**



For a new profile on profit.

Distributed by:



4200 Brandi Lane | High Ridge, MO 63049 | p- (636) 677-3442 | f- (636) 677-4105

dscarwash.com

Power Gloss® and Tri Gloss® are registered trademarks of D & S Car Wash Equipment Co.
Copyright © 2005 D & S Car Wash Equipment Co., Inc. All rights reserved.

